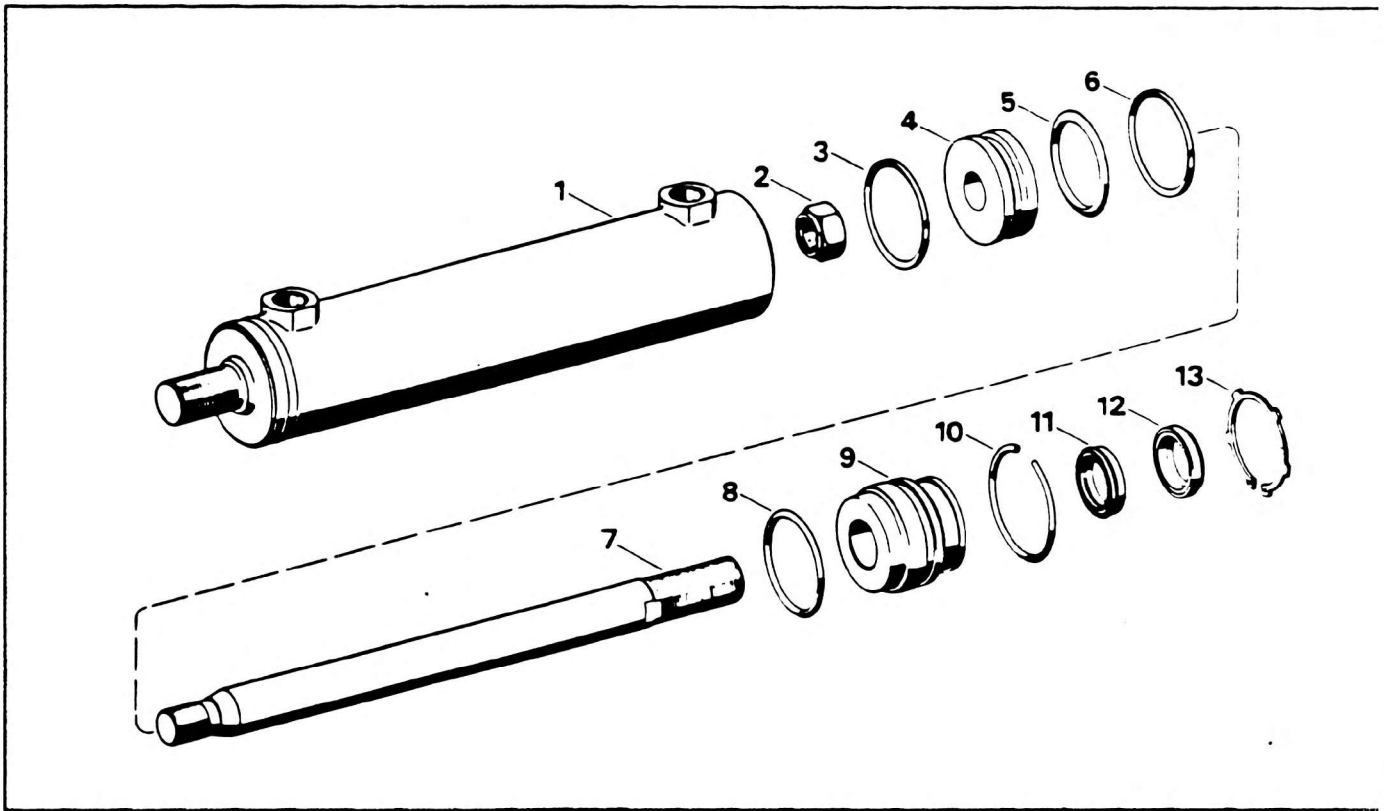


CYLINDER ASSEMBLY - STEERING

GROVE



| NO. | PART NO. | QTY | DESCRIPTION | NO. | PART NO. | QTY | DESCRIPTION |
|------|----------------|-----|---------------|-----|----------|-----|-------------|
| | 7-372-003059 | | COMPLETE ASSY | | | | |
| | * 9-372-101424 | | REPAIR KIT | | | | |
| 1 | 9-372-101641 | 1 | CYLINDER | | | | |
| 2 | 9-372-101425 | 1 | NUT | | | | |
| 3 * | 9-372-101426 | 1 | RING, WIPER | | | | |
| 4 | 9-372-101427 | 1 | PISTON | | | | |
| 5 * | 9-372-101428 | 1 | SEAL, RING | | | | |
| 6 * | 9-372-101426 | 1 | RING, WIPER | | | | |
| 7 | 9-372-101642 | 1 | ROD | | | | |
| 8 * | 9-372-101429 | 1 | O-RING | | | | |
| 9 | 9-372-101430 | 1 | GUIDE | | | | |
| 10 | 9-372-101431 | 3 | RING, SNAP | | | | |
| 11 * | 9-372-101432 | 1 | PACKING | | | | |
| 12 * | 9-372-101433 | 1 | RING, WIPER | | | | |
| 13 | 9-372-101434 | 1 | L-RING | | | | |

* REPAIR KIT AND/OR PART OF KIT